

Fittings for Electrical Metallic Tubing(EMT)

EMT Strap

Snap-on Type - Two Hole

Features:

- Snap-on type EMT strap with two hole
- Carbon Steel
- Inverted rib for strength

Standard Material:

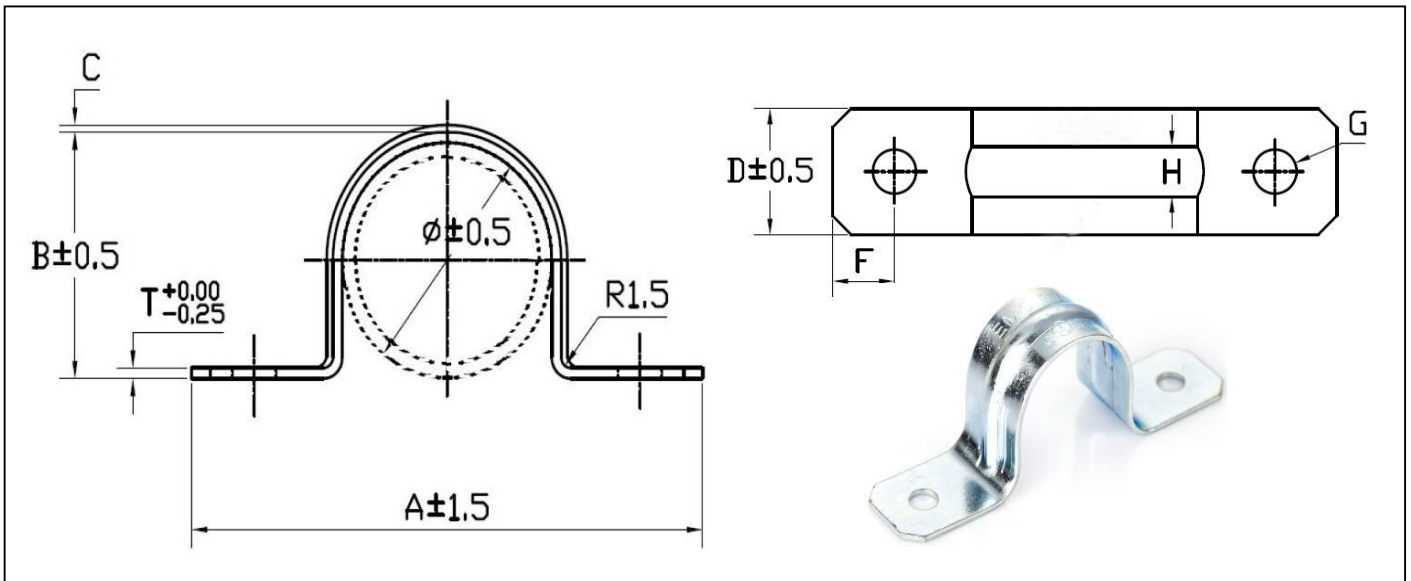


Standard Finish:

- Zinc Plated
- UL LISTED - E365032

CAT #	Size	A	B	C	D	F	G	H	T	ϕ	Screw
		(mm)									
TSP-050	1/2"	55.0	19	1.0	15	8	4.78	5	0.8	17.93	3/16"
TSP-075	3/4"	69.0	24	1.0	16	8	4.78	5	0.8	23.42	3/16"
TSP-100	1"	74.5	31	1.0	18	8	6.35	5	0.8	29.54	3/16"
TSP-125	1-1/4"	92.0	40	1.0	18	10	6.35	8	1.0	38.35	1/4"
TSP-150	1-1/2"	107.0	47	1.2	20	10	6.35	8	1.2	44.20	1/4"
TSP-200	2"	117.0	57	1.2	25	11	8.2	8	1.2	55.80	5/16"
TSP-250R	2-1/2"	154.0	74	2.0	25	12.5	9	10	1.8	73.03	5/16"
TSP-300R	3"	171.0	91	2.0	25	12.5	9	10	1.8	88.90	5/16"
TSP-350R	3-1/2"	190.0	103	2.0	25	12.5	9	10	2.0	101.60	5/16"
TSP-400R	4"	210.0	116	2.0	25	12.5	9	10	2.0	114.30	5/16"

★ Consult Manufacturer for Proper Installation



Applications:

- Support EMT Conduit in dry locations .