

PDS & PCDS A/C Disconnect Switch Box

General

An air conditioning disconnect is a disconnect located between a load center (distribution panel) and air conditioner.

Air Conditioning Disconnects product line provides an installer or repair personnel with a visible disconnecting means when performing maintenance. Air Conditioning Disconnects are also known as disconnects, pullouts or air Non-fused pullout devices conditioning switches. Provide personnel with a visible ON-OFF disconnecting means. While fused pullout units also perform this function, they also provide an additional level of devices are of a pullout design, where the user physically removes or “pulls out” a tab to break the electrical connection.

- UL Certificates: E255965;
- Standard: UL 1429; CSA C22.2 NO. 29-15;
- RoHS Compliance;



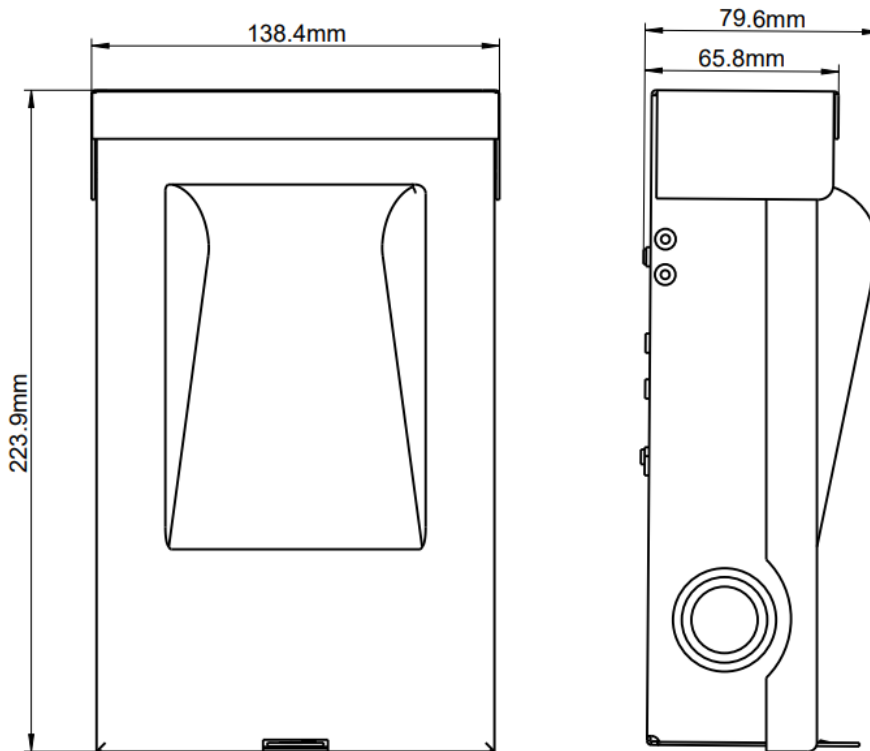
Specification

Cat. No.	Main Ampere Rating	HP Rating		Wire Size Range Cu/Al 60°C or 75 °C
		120V	240V	
PDS-30A, PCDS-30A	30AMP, 240VAC 1 PHASE, 3 WIRE	STD. 0.5 MAX. 2	STD. 1.5 MAX. 3	#14-3
PDS-60A, PCDS-60A	60AMP, 240VAC 1 PHASE, 3 WIRE	STD. 1.5 MAX. 3	STD. 3 MAX. 10	#14-3
PDS-60AN, PCDS-60AN	60AMP, 240VAC 1 PHASE, 3 WIRE	-	STD. 3 MAX. 10	#14-3

Cat. No.	Photos		
PDS-60AN, PDS-60A, PDS-30A			
PCDS-60AN, PCDS-60A, PCDS-30A			

Outline Dimensions

PDS-60AN,PDS-60A,PDS-30A



PCDS-60AN,PCDS-60A,PCDS-30A

