

SPECIFICATION

PART NO. : DT15
产品型号 _____

SPEC NO. : 6FTW200003
规格书编号 _____

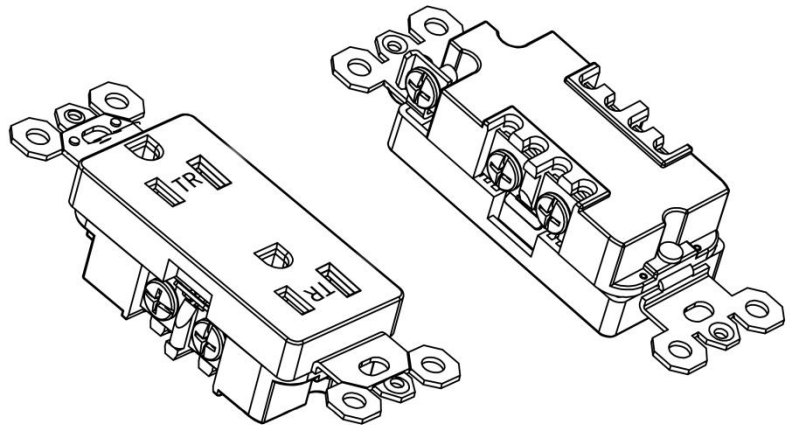
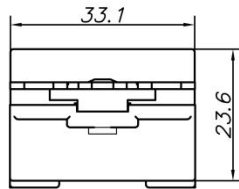
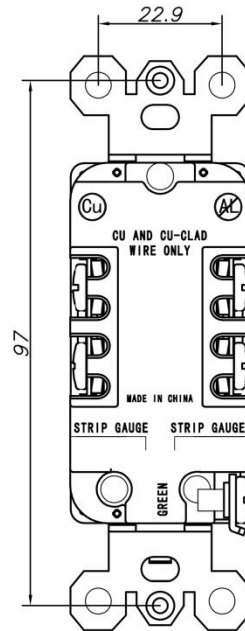
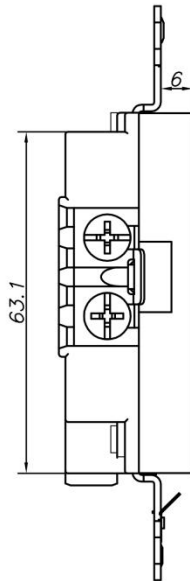
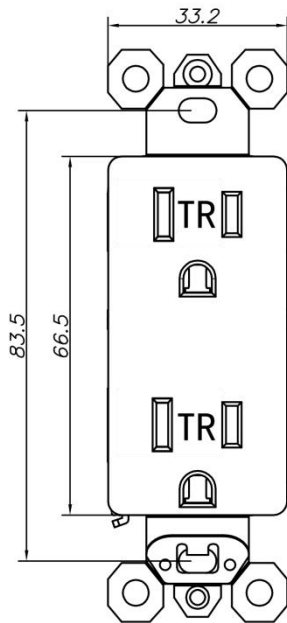
DESCRIPTION. : 15 Amp Decorative TR(带安全门) Outlet
产品描述 _____

DATE. : 2021-03-15
日期 _____

R&D Department 技术部

APPROVED (核准)	CHECKED (审核)	PREPARED (制订)
刘渠永	李再建	陶喜权

版本	标记	更改单号	更改描述	签名	日期
A		-----	新版本	李再建	2021.03.15



SPEC 规格参数:

- 1.Voltage Range: 102~132V
电压范围
- 2.Working Voltage: 125V AC
工作电压
- 3.Rated Current: 15Amp
额定电流
- 4.Grounding : Self-Grounding With Extend Cooper Clip
带自接地铜片
- 5.Tightening Torque : 1.6 N·M
接线螺丝扭矩
- 6.Insertion 插入力 : < 178N
Pull Out force 拔出力 : ≤67N
Plug Retention 保持力 : 13.3N 1 Min (Static Condition)
- 7.Working Temperature Range: -35 °C~ 70 °C
工作温度
8. The unmarked dimensional tolerance shall be in accordance with GB / T1804-2000-m.
未注尺寸公差均按GB/T1804-2000-m.
9. Withstand voltage: 2000VAC / min
耐压等级

设计	陶喜权			产品型号: DT15
审核	李再建	图面	A4	产品名称: 接线插座
标准化		单位	mm	产品图号: 6FTW200003
批准	刘渠永	版次	A	温州方特电气有限公司

Decorative Receptacles Wiring Devices
Item No.: DT15

Specification

Certification:	UL / cUL
File No.:	E498095
Grade:	Residential & Commercial
Feature:	Decorative Outlet
Standard Version:	UL498 16 th Edition/CSA C22.2 NO. 42-10
Wiring:	Back Wire & Side Wire
Rating:	15A 125V AC
NEMA:	5-15R
Pole & Wire:	2-Pole, 3 Wire
Spec:	Tamper-Resistant
Grounding:	Self-Grounding with Extend Cooper Clip
Dielectric Voltage Withstand :	1250V

Material Characteristics

Front Cover/Body:	High-Impact PC-Thermoplastic
Operation Temperature:	-35 °C~ 70 °C
Environmental :	Flammability UL-94 V2 Rating
Yoke:	Zinc-Plated Steel 1.2mm Thick
Clamps:	Phosphor Bronze 0.8mm Thick
Terminal Screws:	Plated Steel
Warranty:	2 Years Limited