

EMT & Rigid Strut Clamp



Features:

- For use with EMT/IMC/Rigid Conduit

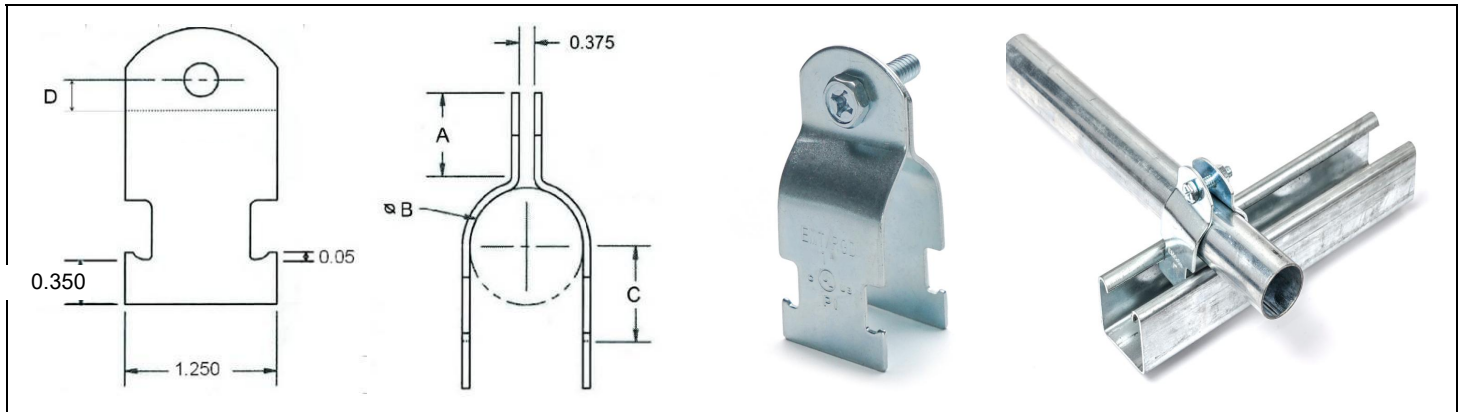
Standard Material:

- Steel

Standard Finish:

- Electro-galvanized

| Cat.No. | Size | Conduit Size | Material Thickness | Hole Diameter | A | B | C | D | Bolt Size |
|---------|--------|--------------|--------------------|---------------|-------|-------|--------------|----------------|------------------|
| | | (mm) | | | | | | | |
| SC-050 | 1/2" | 17.93-21.34 | 0.060 (±0.005) | 0.28 | 0.690 | 0.773 | 0.6675±0.015 | 0.325 0.345 | 1/4"-20 × 1" |
| SC-075 | 3/4" | 23.42-26.67 | | | | 0.986 | 0.7740±0.015 | | |
| SC-100 | 1" | 29.54-33.40 | | | | 1.279 | 0.9205±0.015 | | |
| SC-125 | 1-1/4" | 38.35-42.16 | 0.075 (±0.005) | 0.34 | 0.820 | 1.585 | 1.0735±0.015 | 0.400 0.420 | 5/16-18 × 1-1/4" |
| SC-150 | 1-1/2" | 44.20-48.26 | | | | 1.820 | 1.1910±0.015 | | |
| SC-200 | 2" | 55.80-60.33 | | | | 2.266 | 1.4240±0.015 | | |
| SC-250 | 2-1/2" | 73.03 | 0.1000 (±0.005) | 0.34 | 0.820 | 2.875 | 1.7185±0.015 | 0.400 0.420 | 5/16-18 × 1-1/4" |
| SC-300 | 3" | 88.9 | | | | 3.500 | 2.0310±0.015 | | |
| SC-400 | 4" | 114.3 | 0.118 (±0.005) | 0.42 | 0.88 | 4.500 | 2.5310±0.015 | 0.480 0.500 | 3/8-16×1-1/4" |



Applications:

- Use to support stationary pipe and tubing lines from strut channel .

Clamps to be packaged
Assembled as shown
with one(1) Bolt and
one (1) Hex Nut.

