

EMT & Rigid Strut Clamp



Features:

- For use with EMT/IMC/Rigid Conduit

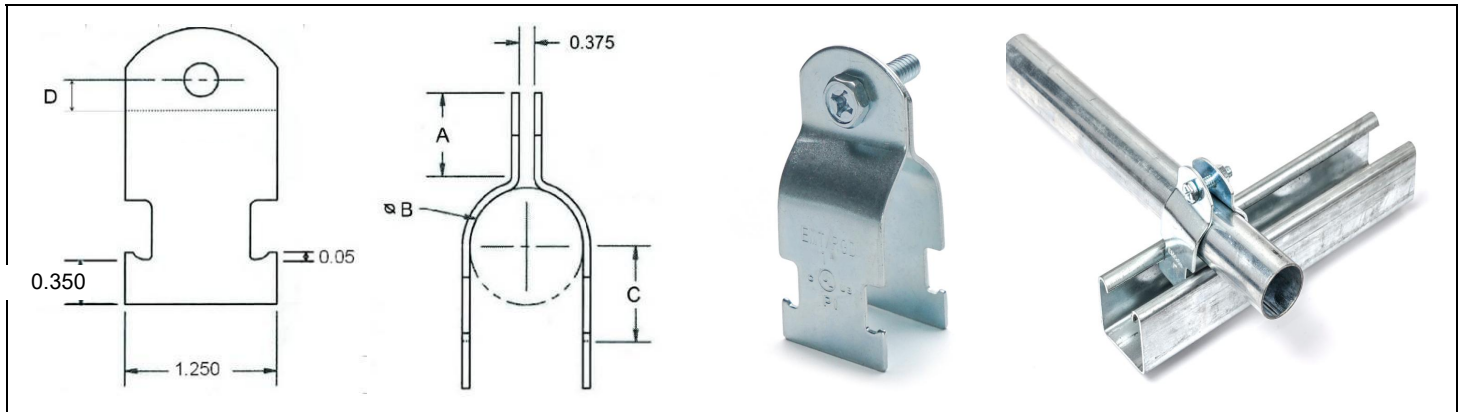
Standard Material:

- Steel

Standard Finish:

- Electro-galvanized

Cat.No.	Size	Conduit Size	Material Thickness	Hole Diameter	A	B	C	D	Bolt Size
		(mm)							
SC-050	1/2"	17.93-21.34	0.060 (±0.005)	0.28	0.690	0.773	0.6675±0.015	0.325 0.345	1/4"-20 × 1"
SC-075	3/4"	23.42-26.67				0.986	0.7740±0.015		
SC-100	1"	29.54-33.40				1.279	0.9205±0.015		
SC-125	1-1/4"	38.35-42.16	0.075 (±0.005)	0.34	0.820	1.585	1.0735±0.015	0.400 0.420	5/16-18 × 1-1/4"
SC-150	1-1/2"	44.20-48.26				1.820	1.1910±0.015		
SC-200	2"	55.80-60.33				2.266	1.4240±0.015		
SC-250	2-1/2"	73.03	0.1000 (±0.005)	0.34	0.820	2.875	1.7185±0.015	0.400 0.420	5/16-18 × 1-1/4"
SC-300	3"	88.9				3.500	2.0310±0.015		
SC-400	4"	114.3	0.118 (±0.005)	0.42	0.88	4.500	2.5310±0.015	0.480 0.500	3/8-16×1-1/4"



Applications:

- Use to support stationary pipe and tubing lines from strut channel .

Clamps to be packaged
Assembled as shown
with one(1) Bolt and
one (1) Hex Nut.

